

AL-KO LOW FRAME CHASSIS MERCEDES-BENZ SPRINTER



CHASSIS TECHNOLOGY FROM AL-KO

INCREASED PAYLOAD

The intelligent AL-KO lightweight chassis with a permitted gross weight of up to 4,500 kg (2-axle) or 5,500 kg (3-axle) enables a significantly higher payload.



GREATER CUSTOMISATION

Variable wheelbases and overhangs in conjunction with the offered axle gauges enable a customised solution for nearly all motorhome, horsebox, promotional, sales and office vehicle bodies as well as dry freight box bodies for optimal axle distribution.

WIDE TRACK CHASSIS

The larger rear axle gauge, up to 210 mm compared to the original series chassis, results in improved roll stability, thus ensuring excellent driving dynamics, the best possible safety and outstanding driving comfort.

TRAILING ARM AXLE

The perfectly coordinated AL-KO trailing arm axle with independent wheel suspension and torsion bar suspension ensures impressive car-like suspension comfort. For the highest demands for comfort, the new AL-KO Air Premium full air suspension system with automatic level control, lifting/lowering and auto-level function is also available as an option.



Figure shows special equipment!





EASY TO SERVICE

Bolted frame parts are easy to service, ensuring shorter periods of downtime for repairs.



LONG SERVICE LIFE

Hot-dip galvanised chassis structure guarantees optimal corrosion protection.

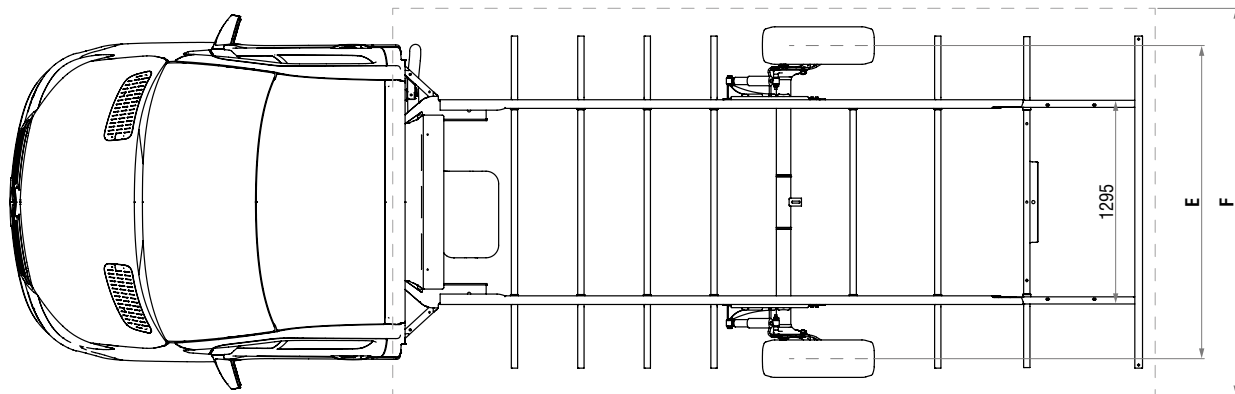
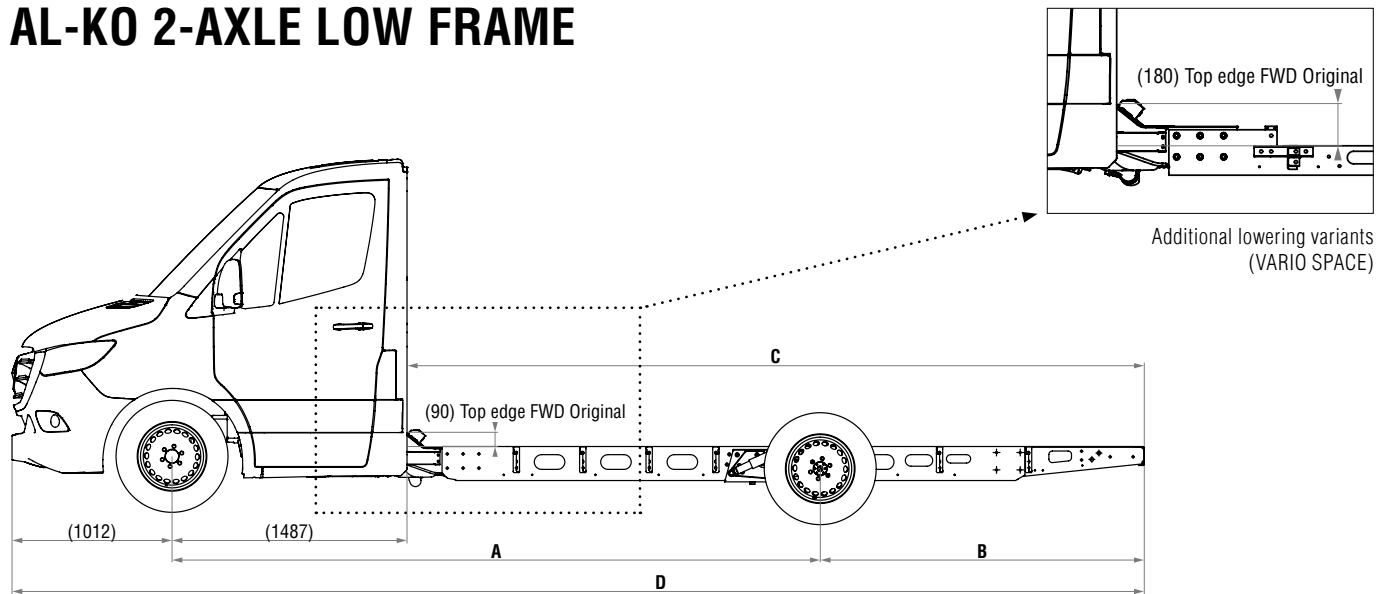
ESP/ESC

ESP/ESC (electronic stability program) is also available for the 2- and 3-axle AL-KO-CHASSIS based on the Mercedes-Benz Sprinter as a standard additional safety feature for all AL-KO chassis variants. In addition, the Mercedes-Benz Sprinter with the AL-KO lightweight chassis offers exemplary safety with a multitude of additional driver assistance systems for various transport profiles and customer requirements.

Mercedes-Benz
VanPartner

TECHNICAL DATA

AL-KO 2-AXLE LOW FRAME



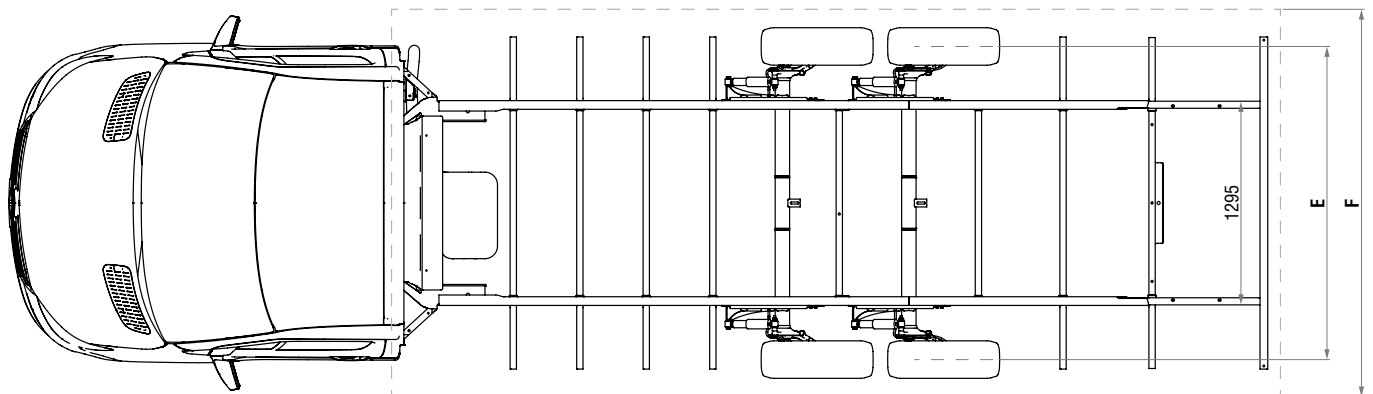
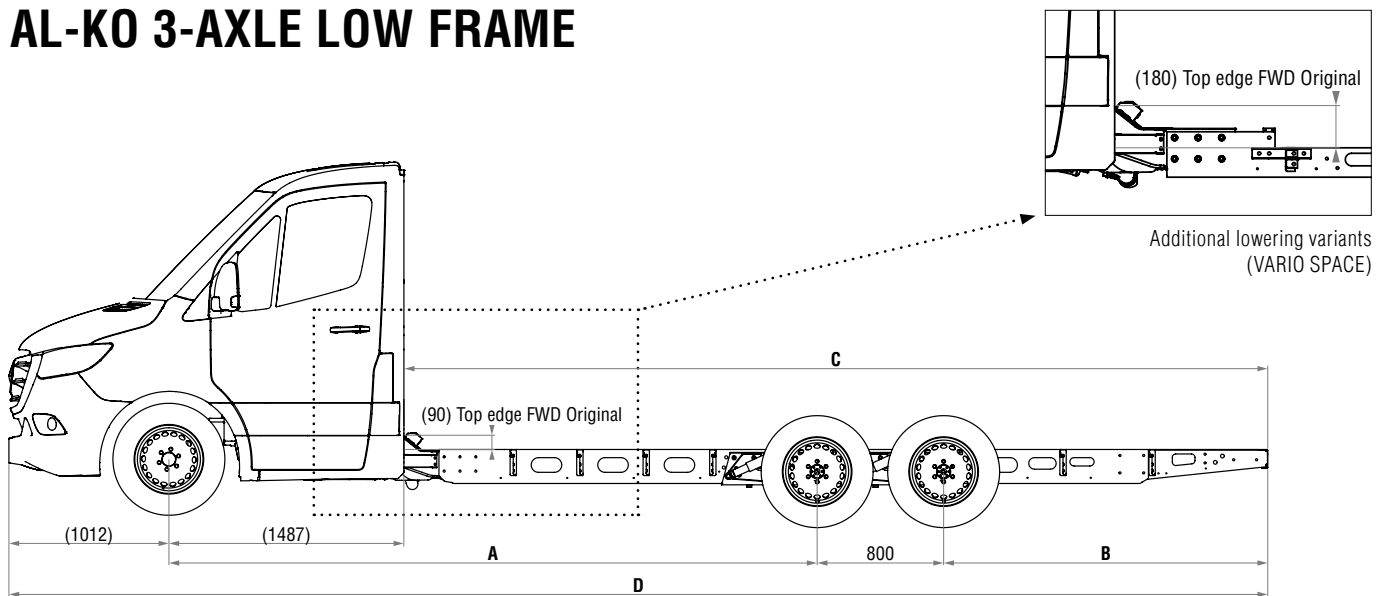
Chassis dimensions (2-axle model)

A Wheelbase	B Chassis overhang	C Frame length	D Overall vehicle length (without body)	E Rear axle track width	F Body width
3,600 – 4,800 mm	780 – 2,500 mm <i>Vehicle overhang: up to 60% of the wheelbase, but max. 2,600 mm</i>	2,893 – 5,813 mm	5,392 – 8,312 mm	1,890 mm ¹⁾ / 1,980 mm	2,020 – 2,450 mm

¹⁾ Air Premium air suspension not possible in conjunction with track width 1,890 mm

AL-KO COMFORT DRIVE only for Mercedes-Benz Sprinter (VS30) > 3.5 t
Air suspension X2/X4 only for Mercedes-Benz Sprinter (VS30) > 3.5 t

AL-KO 3-AXLE LOW FRAME



Chassis dimensions (3-axle model)

A Wheelbase	B Chassis overhang	C Frame length	D Overall vehicle length (without body)	E Rear axle track width	F Body width
3,800 – 4,800 mm	780 – 2,500 mm <i>Vehicle overhang: up to 60% of the wheelbase, but max. 2,600 mm</i>	3,893 – 6,613 mm	6,392 – 9,112 mm	1,980 mm	2,020 – 2,450 mm

TYPE OVERVIEW

TECHNICAL DATA & EQUIPMENT

Number of axles	Chassis cab basic design & weight variants	Transmission ¹⁾	Hand-brake ²⁾	Perm. gross weight kg	Perm. front axle load kg	Perm. rear axle load kg	Perm. towable load kg	Perm. gross combination weight kg	Wheels / tyres
2-axle	BM910.030 3.5t (IT4)	SG / AG	E	3,500	1,850	2,100	2,000	5,500	225/75 R16CP ⁴⁾
	BM910.040 3.88t (IT9+XL8)	SG / AG	E	4,500	2,100	2,430 / 2,500 ³⁾	2,000	5,880	225/75 R16CP ⁴⁾
	BM910.040 4.2t (IT9+XB6)	SG / AG	E	4,500	2,100	2,430 / 2,500 ³⁾	2,000	5,880	225/75 R16CP ⁴⁾
3-axle	BM910.040 4.2t (IT9 + XB6 + ZC4)	AG	E	5,500	2,100	2 x 1,800	2,000	5,880	225/75 R16CP ⁴⁾

¹⁾ Available transmission variants:
SG – 6-speed manual transmission (standard)
AG – 9-speed automatic transmission (option)

³⁾ 2.5 t perm. rear axle load only in combination with
16" Mercedes-Benz light alloy wheel
(option RL5/RM3) and tyres (option RC3/RM1/RM7)

²⁾ Available parking brake variants
E – Electric handbrake

⁴⁾ Optional: 235/60 R17C on 17" Mercedes-Benz alloy wheel

Required/useful if needed:

- | | | |
|---------------------------------------|--------------------------------------------------|---------------------|
| Large mirror head: | Body width 2,100 to 2,190 mm | Mercedes option FT1 |
| Extended mirror holder: | Body width 2,190 to 2,300 mm | Mercedes option FS1 |
| Extra-long mirror holder: | Body width 2,300 to 2,450 mm | Mercedes option FS2 |
| Electrical system for trailer socket: | Disconnection point behind the driver's seat box | Mercedes option E57 |
| Air suspension: | | Mercedes Option ED5 |
| AL-KO COMFORT DRIVE: | | Mercedes Option ED5 |



AL-KO CHASSIS

ACCESSORIES/SPECIAL EQUIPMENT

MECHANICAL CLICKFIX STEADY LEG



- | Robust construction for firm, secure positioning
- | Quick and easy operation: Just half a turn of the crank is enough to move the steady leg into the vertical support position
- | Integrated free-swivelling mechanism
- | High-quality surface protection
- | Dynamic load capacity 500 kg, static 1,000 kg

AIR PREMIUM FULL AIR SUSPENSION SYSTEMS



- | Optimal suspension comfort
- | Fully automatic level regulation
- | Many lifting/lowering functions
- | Soft-touch remote control as standard
- | Maintenance-free
- | Optionally for AL-KO rear axle(s) (Air Premium X2) or for front and rear axle(s) (Air Premium X4)
- | Automatic levelling function (Air Premium X4)

TOWBAR



- | Precisely correlated to the AL-KO CHASSIS
- | With the highest level of safety
- | Low mounting effort
- | High-quality surface protection
- | In rigid and detachable versions

AL-KO COMFORT DRIVE

Semi-active damping system

- | Increased driving comfort and safety
- | Two driving modes for an individual driving experience: Normal & Comfort
- | Compensates for uneven road surfaces as well as pitching and wobbling
- | Real-time shock absorber adjustment



AMC VARIO SPACE

The latest generation of low-frame chassis

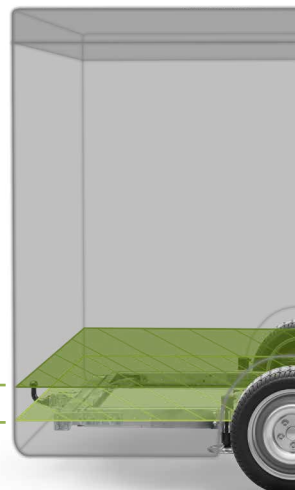
- | Reduced vehicle height improves aerodynamics and reduces CO2 emissions
- | More payload and less fuel consumption through lightweight construction technology
- | Improved driving comfort from the suspension specialist
- | More driving safety due to low centre of gravity



Original chassis

SPACE GAIN

AMC VARIO SPACE



Member of **DEXKO**
GLOBAL

ALOIS KOBER GMBH

Ichenhauser Straße 14

89359 Kötz

Germany

T +49 8221 97-0

info@alko-tech.com

www.alko-tech.com