



AL-KO CARRY NEX

MODULAR CHASSIS SOLUTIONS

As a leading brand manufacturer of trailer components, AL-KO is now bringing its proven expertise to the world of sustainable mobility. Our latest cargo chassis, the **AL-KO CarryNex**, set new standards in the transportation and logistics industry - lighter, safer, more individual.

**AL-KO
LIGHT**

Lightweight design
up to 70 kg

**AL-KO
PROVEN**

Quality
from AL-KO

**AL-KO
SAFE**

Stable driving
response

**AL-KO
INDIVIDUAL**

Customized
specs

Coupling head

Parking brake

Bellows

Loading area

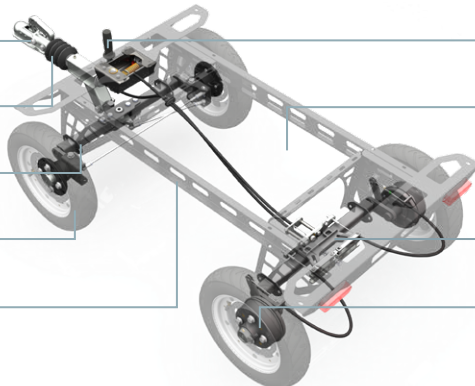
Overrun brake

Steering axle

Rear axle

Lightweight frames

Drum brake





AL-KO CARRYNEX

MODULAR CHASSIS SOLUTIONS

WHAT ELSE DO WE DELIVER?

A sophisticated and innovative concept in three lightweight versions. The choice between single- and dual-axle trailers with a permitted total weight of up to 300 kg. Stable, safe driving response thanks to rubber suspension axles and parking brake. The **AL-KO CarryNex** chassis enable the transport of Euro pallets and have long service intervals thanks to the drum brake.



CARRYNEX 250

CARRYNEX 300

CARRYNEX 305

Chassis version	Central axle trailer	Steering axle trailer	Central axle trailer
Perm. gross weight	250 kg	300 kg	250 kg
Net weight	50 kg	70 kg	55 kg
Loading area l x w	1330 x 950	1250 x 825	1330 x 950
High loading edge	480	480	480
Hitch height	440	315	430
Drum brake	particularly durable, with ECE type approval		
Parking brake system	up to 10% gradient		up to 18% gradient
Overrun brake	Comfort function, without ECE type approval as not yet required by law		with ECE type approval
Hitch	AK7		AK161
Max. speed	25 km/h		60 km/h
Towing vehicle	pedal-powered vehicles		self-driven vehicles